

COMPACT

Cylinders



Find out our
key products



Solution for most applications



Easy and intuitive choice



Excellent value for money



Wide availability



Fast delivery



Features and certifications

Series of compact cylinders not conforming to standards, available in bores from Ø 6 to 32, double acting, magnetic or non magnetic. The barrel with grooves allows the magnetic versions to mount magnetic reed switches directly in the tube. Supplied as standard in compliance with Reach and RoHS directives.

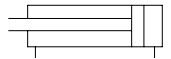


Type DU Ø 16 ÷ 32

from page 1.18.20



Compact cylinders not conforming to standards, available in bores from Ø 16 to 32, double acting, non magnetic.

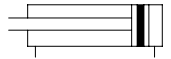


Type DUM Ø 6 ÷ 32

from page 1.18.20



Compact cylinders not conforming to standards, available in bores from Ø 16 to 32, double acting, magnetic. The barrel with grooves allows mounting magnetic reed switches directly.



Options		
Description	Symbol	Suffix
Anti-rotating plate (available from Ø 16)		N
Special versions on request		/S

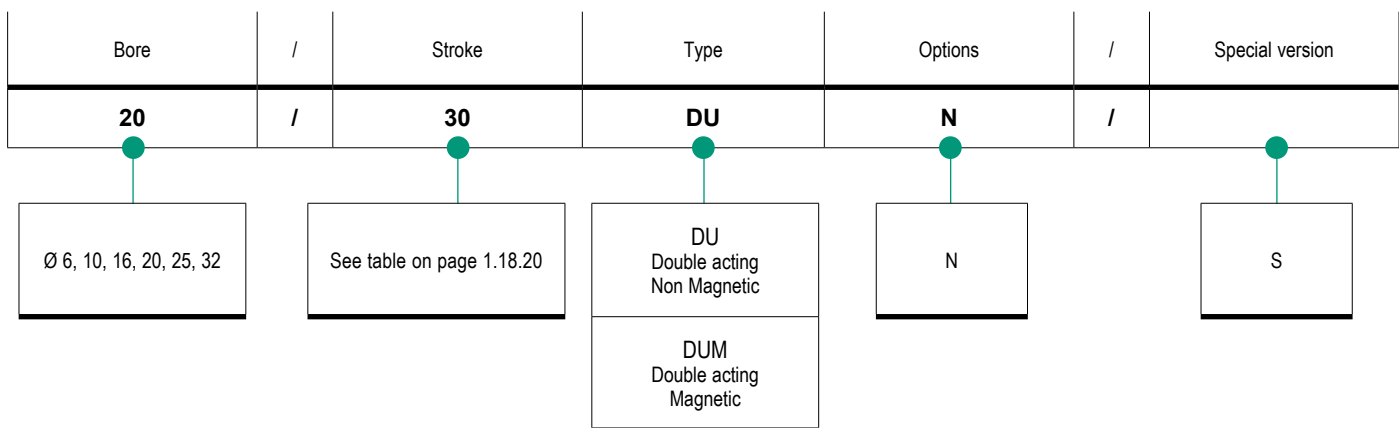
The options, when this is possible, can be combined with each other. For options matching and code key, see the tables below.

Options matching			
Series	Bore	Model	Standard options matching
			N (Ø16÷32)
DU	Ø 6 ÷ 32	Standard	●
	Ø 16 ÷ 32	Anti-rotating plate (N)	
DUM	Ø 6 ÷ 32	Standard	●
	Ø 16 ÷ 32	Anti-rotating plate (N)	

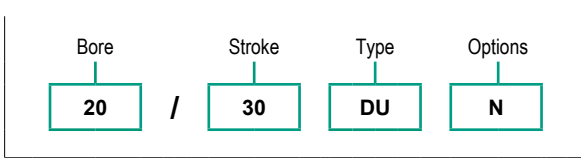
Key

● allowed matching; - not allowed matching

Code key



How to order

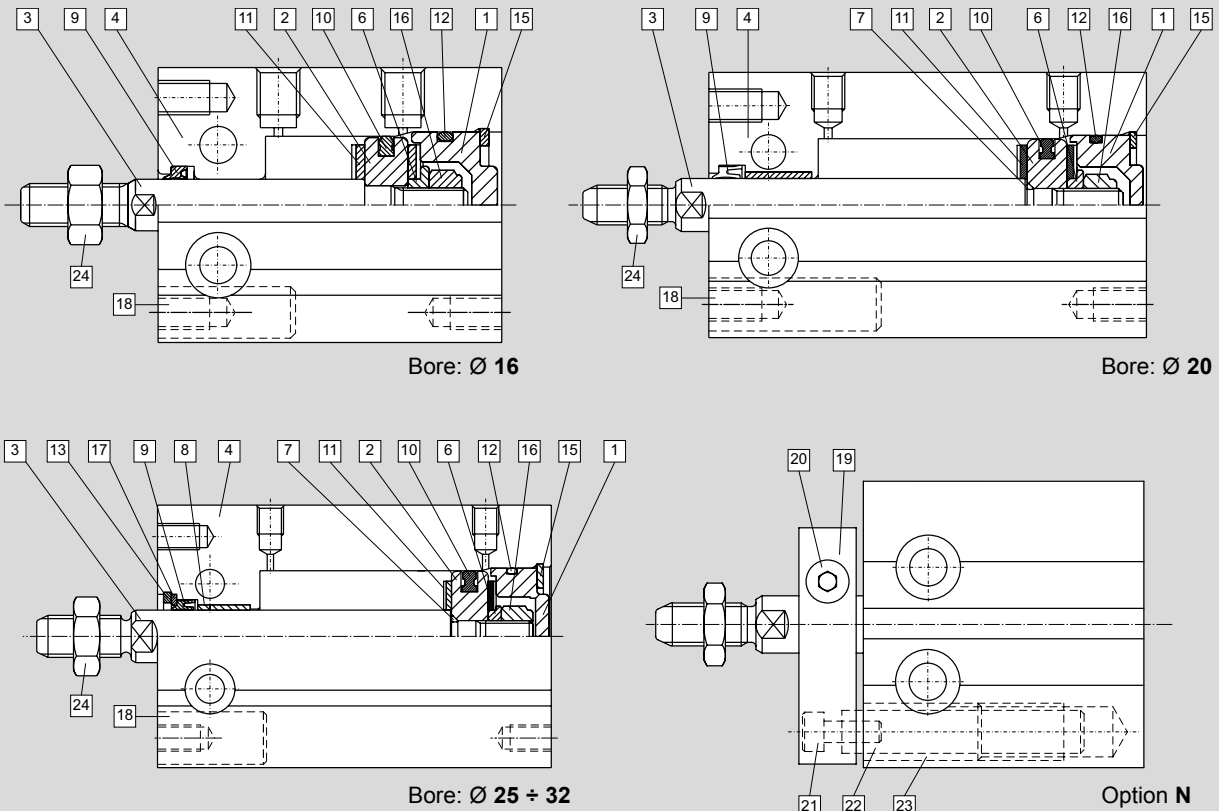


Notes

For further information on options and their matching, see tables above.

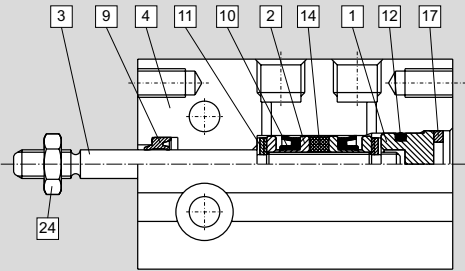
Standard materials

Type: **DU**

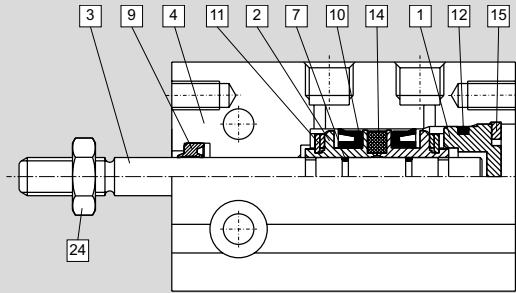


Position	Description	Materials					
		Ø 6	Ø 10	Ø 16	Ø 20	Ø 25	Ø 32
1	End cover	Hard anodised aluminium					
2	Piston	Brass			Hard anodised aluminium		
3	Rod	Stainless Steel			Carbon steel		
4	Tube	Hard anodised aluminium					
5	Magnet holder	Hard anodised aluminium					
6	T-washer	Nickel-plated carbon steel					
7	O-ring	NBR					
8	Oilless bearing	Oil-impregnated sintered alloy					
9	Rod packing	Polyurethane (PU)			NBR		
10	Piston seal	NBR					
11	Rubber lining	NBR					
12	Cylinder gasket	NBR					
13	Retaining ring	Nickel-plated carbon steel					
14	Magnet	Magnetic material					
15	Retaining ring	Nickel-plated carbon steel					
16	Piston nut	Galvanized carbon steel					
17	Rod washer	Stainless Steel					
18	Screw plug	Hard anodised aluminium					
19	Guide plate	Hard anodised aluminium					
20	Screw	Nickel-plated carbon steel					
21	Screw	Nickel-plated carbon steel					
22	Guide rod	Carbon steel					
23	Oilless bearing	Oil-impregnated sintered alloy					
24	Rod and nut	Stainless Steel			Nickel-plated carbon steel		

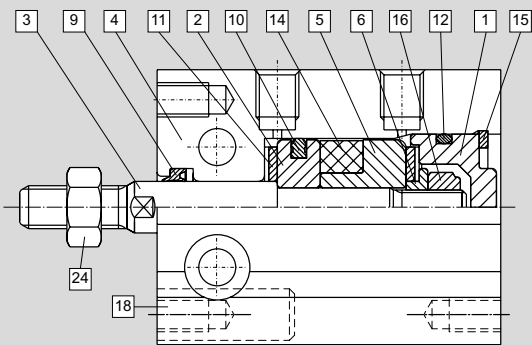
Type: **DUM**



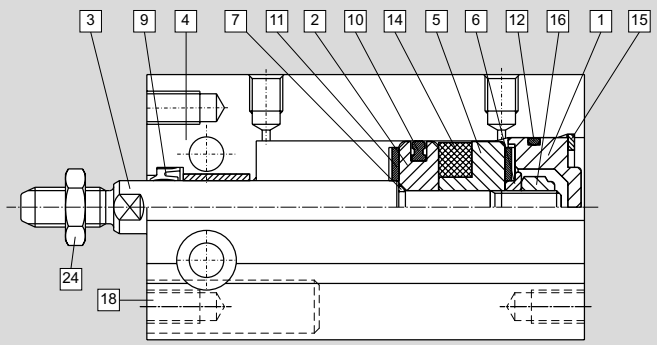
Bore: \varnothing 6



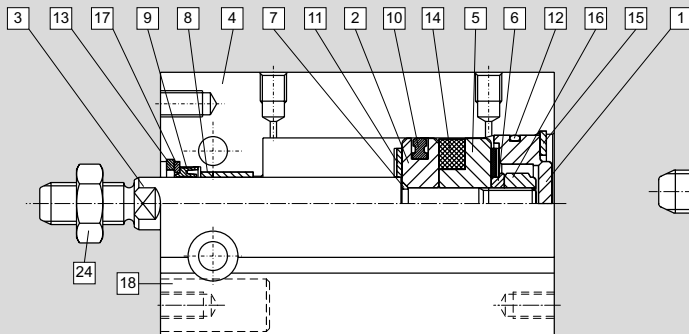
Bore: \varnothing 10



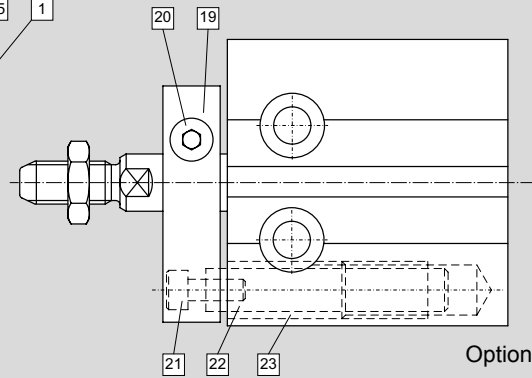
Bore: \varnothing 16



Bore: \varnothing 20



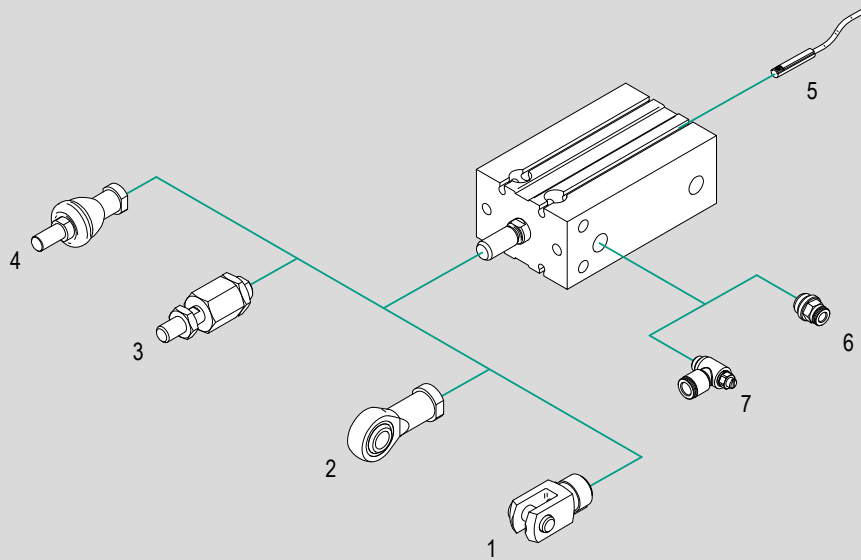
Bore: \varnothing 25 ÷ 32



Option N

Accessories

1 - CYLINDERS



N.	Cylinder bore	Item	Description	Compliance	Matching		Code page	Data sheet page
					DU	DUM		
1	Ø 10 ÷ 32	FF..DIN	DIN female clevis with clip	DIN 71752 UNI 1676	●	●	1.18.90	1.86.1
		FFP..DIN	DIN female clevis with pin and seeger		●	●		
		FFN..DIN	DIN female clevis (body only)		●	●		1.86.2
2	Ø 20 ÷ 32	RF..SE	Bearing head (DIN 648K) with female thread	ISO 8139	●	●	1.90.1	
3	Ø 10 ÷ 32	GB..	Bearing - Self-aligning articulated coupling	-	●	●	1.90.10	
4	Ø 16 ÷ 32	RBL..	Bearing - Axial articulated coupling		●	●	1.90.20	
	Ø 16 ÷ 25	RBL..	Bearing - Angular articulated coupling		●	●	1.90.30	
5	Ø 6 ÷ 32	ASC..	Magnetic reed switch C groove	-	-	●	1.110.30	
6	Ø 6 ÷ 32	R..	Push-in fittings	-	●	●	4.2.1	
7	Ø 6 ÷ 32	V..C	Flow controls, for cylinders	-	●	●	4.94.1	

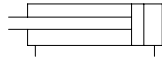
Key

● matching accessory; - not matching accessory

Main features

16 ÷ 32

Bores Ø



Double acting
Non magnetic

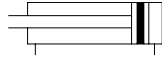
DU

Type



6 ÷ 32

Bores Ø



Double acting
Magnetic

DUM

Type



Technical data

Bore Ø mm	6	10	16	20	25	32	
Fluid	Filtered compressed air with or without lubrication. Lubrication, if started, must be continued.						
Pressure range	3 ÷ 7 bar	1,5 ÷ 7 bar		1 ÷ 7 bar			
Temperature range	-10°C ÷ +60°C						
Port	M5					1/8"	
Strokes	DU	-		5 ÷ 30 mm	5 ÷ 50 mm		
	DUM	5 ÷ 30 mm			5 ÷ 50 mm		
Rod thread	DU	-		M5	M6	M8	M10
	DUM	M3	M4	M5	M6	M8	M10

Standard strokes

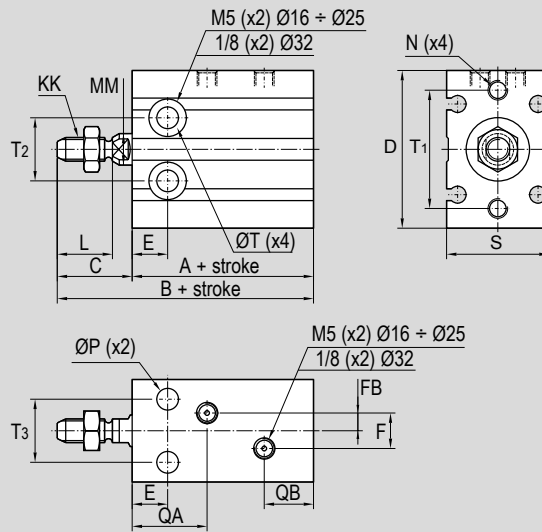
Stroke mm	DU Bore Ø mm			
	16	20	25	32
5				
10				
15				
20				
25				
30				
40				
50				

Stroke mm	DUM Bore Ø mm					
	6	10	16	20	25	32
5						
10						
15						
20						
25						
30						
40						
50						

Key
 Standard stroke

Standard dimensions

1 - CYLINDERS

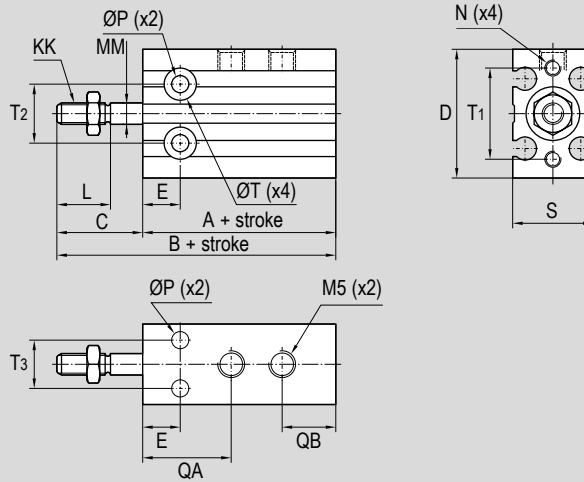


Type: **DU**
Ø 16 ÷ 32

Ø (mm)	A	B	C	D	E	F	FB	L	KK	ØMM	N	ØP	QA	QB	S	T	T ₁	T ₂	T ₃
16	30	46	16	32	7	4	2	12,5	M5	6	M4	4,3	14	11,5	20	Ø 7,6 depth 6,5	25	14	12
20	36	55	19	40	9	9	4,5	14	M6	8	M5	5,2	18	12,5	26	Ø 9 depth 7,6	30	16	16
25	40	63	23	50	10	9	4,5	18	M8	10	M5	5,5	21,5	12,5	32	Ø 9,5 depth 9	38	20	20
32	42	69	27	62	11	13,5	4,5	22	M10	12	M6	6,6	23	13	40	Ø 11 depth 11	48	24	24

Standard dimensions

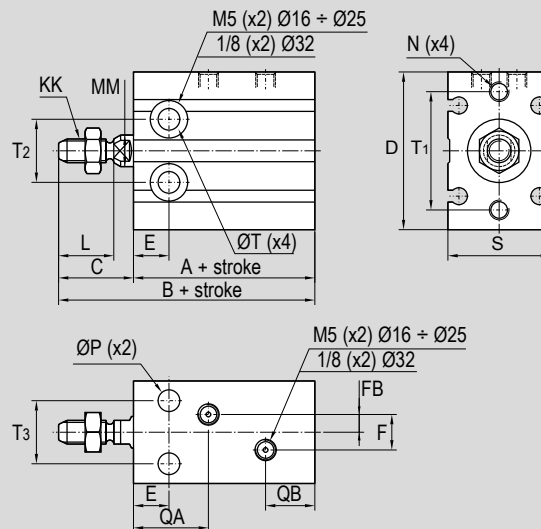
Type: **DUM**
Ø 6 ÷ 10



Ø (mm)	A	B	C	D	E	L	KK	ØMM	N	ØP	QA	QB	S	T	T ₁	T ₂	T ₃
6	33	46	13	22	7	7	M3	3	M3	3,2	15	10	13	Ø 6 depth 4.8	17	10	7
10	36	52	16	24	7	10	M4	4	M3	3,2	15	11	18	Ø 6 depth 5	17	10	7

Standard dimensions

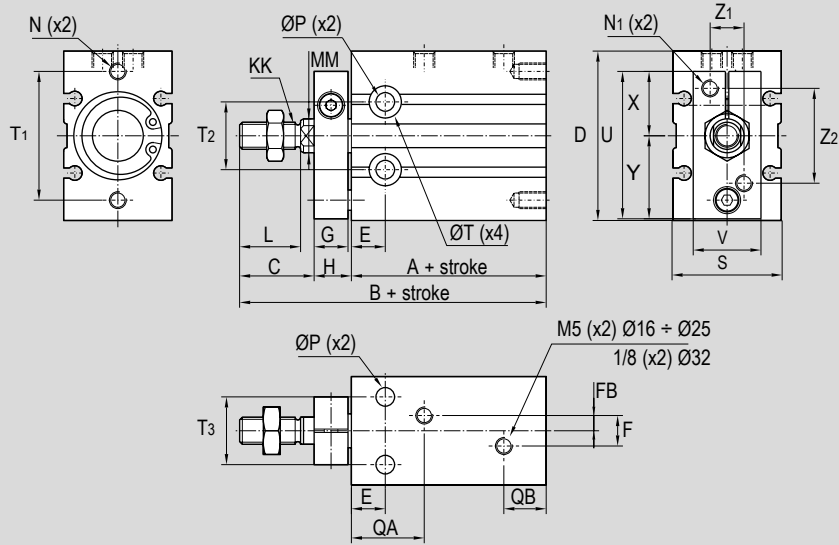
Type: **DUM**
Ø 16 ÷ 32



Ø (mm)	A	B	C	D	E	F	FB	L	KK	ØMM	N	ØP	QA	QB	S	T	T ₁	T ₂	T ₃
16	40	56	16	32	7	4	2	12,5	M5	6	M4	4,3	14	11,5	20	Ø 7,6 depth 6,5	25	14	12
20	46	65	19	40	9	9	4,5	14	M6	8	M5	5,2	18	12,5	26	Ø 9 depth 7,6	30	16	16
25	50	73	23	50	10	9	4,5	18	M8	10	M5	5,5	21,5	12,5	32	Ø 9,5 depth 9	38	20	20
32	52	79	27	62	11	13,5	4,5	22	M10	12	M6	6,6	23	13	40	Ø 11 depth 11	48	24	24

Dimensions with options

1 - CYLINDERS








Type: ...N
Ø 16 ÷ 32


Ø (mm)	A		B		C	D	E	F	FB	G	H	L	KK	ØMM	N	N ₁	ØP
	DU	DUM	DU	DUM													
16	30	40	56	66	17	32	7	4	2	8	9	12,5	M5	6	M4	M4	4,3
20	36	46	65	75	20	40	9	9	4,5	8	9	14	M6	8	M5	M4	5,2
25	40	50	73	83	22	50	10	9	4,5	10	11	18	M8	10	M5	M5	5,5
32	42	52	84	94	29	62	11	13,5	4,5	12	13	22	M10	12	M6	M5	6,5

Ø (mm)	T	T ₁	T ₂	T ₃	QA	QB	S	U	V	X	Y	Z ₁	Z ₂
16	Ø 7,6 depth 6,5	25	14	12	14	11,5	20	28	13	12,5	15,5	6	18
20	Ø 9 depth 7,6	30	16	16	18	12,5	26	33	16	13,5	19,5	8	20
25	Ø 9,5 depth 9	38	20	20	21,5	12,5	32	43,5	20	19	24,5	10	28
32	Ø 11 depth 11	48	24	24	23	13	40	51,5	24	21	30,5	12	32


Female clevis with clip FF..DIN

	For cylinder Ø mm	Code	Item	Compliance
	6	-	-	DIN 71752
	10	041001 	FF04ISO/DIN	
	16	041022 	FF05DIN	UNI 1676
	20	041002 	FF06ISO/DIN	
	25	041003 	FF08ISO/DIN	
	32	041025	FF10DIN	




Female clevis with pin and seeger FFP..DIN

	For cylinder Ø mm	Code	Item	Compliance
	6	-	-	DIN 71752
	10	-	FFP04DIN	
	16	-	FFP05DIN	UNI 1676
	20	-	FFP06DIN	
	25	-	FFP08DIN	
	32	041096	FFP10DIN	


Female clevis (body only) FFN..DIN

	For cylinder Ø mm	Code	Item	Compliance
	6	-	-	DIN 71752
	10	041091	FFN04DIN	
	16	-	-	UNI 1676
	20	041011	FFN06DIN	
	25	041018	FFN08DIN	
	32	041020	FFN10DIN	


Bearing heads (DIN 648K) with female thread RF..SE

	For cylinder Ø mm	Code	Item	Compliance
	6	-	-	ISO 8139
	10	-	-	
	16	-	-	
	20	041552 	RF6SE	
	25	041553 	RF8SE	
	32	041565	RF10x1,5SE	


Self-aligning articulated coupling GB..

	For cylinder Ø mm	Code	Item	Compliance
	10	041701	GB008	-
	16	041700	GB005	
	20	041702	GB010	
	25	041703	GB020	
	32	041704	GB050	



Axial articulated coupling RBL..

	For cylinder Ø mm	Code	Item	Compliance
	16	041601	RBI5	-
	20	041602	RBI6	
	25	041603	RBI8	
	32	041611	RBI10x1,5	

Angular articulated coupling RBL..

	For cylinder Ø mm	Code	Item	Compliance
	16	041651	RBL5	-
	20	041652	RBL6	
	25	041653	RBL8	

Magnetic reed switch C groove ASC..

	For cylinder Ø mm	Code	Item	Cylinder matching
	6 ÷ 32	070248 	ASC1C525	DUM
		070249	ASC7N2M8	
		070382	ASC7M2M8	

